

ALLTEC
antriebstechnik



PFAFF
silberblau

PHOENIX
Telescopic Lifting Column

PHOENIX

Single-step version

The „PHOENIX“ telescopic lifting column is a compact lifting system with integrated guiding arrangements made of high-quality, anodized precision aluminium profiles, worm gear screw jacks from the MERKUR range and a directly mounted motor. They can be used independently or as a complete lifting system. Synchronization can be effected electric or via a mechanical connection by means of articulated shafts.

Operational features of our „PHOENIX“ Telescopic Lifting Column

- Bears heavy compression and tensile loads
- Enclosed, low-maintenance design
- Flexible modular system
- Off-center load pick-up is admissible
- Self-locking mechanism in the TGT trapezoidal version
- Fast lifting speed in the version with the two-start trapezoid screw (TGT) or ball screw (KGT)
- Maximum duty ratio 20%/h or 15%/10min
- Maximum ambient temperature 40° C
- Short delivery times

Technical data

| Type | Fmax. lift (with centered load) | v | Lift | Mounting dimension L | Motor | Spindle |
|------|------------------------------------|-----------|---------|-------------------------|-----------------------------|---------|
| PH56 | 25000 N | 6 mm/s | 200 mm | Lift+350 mm | 1,1 kW / 400V | TGT |
| | 15000 N | 12 mm/s | 400 mm | | 1,1 kW / 400V (with brake) | |
| | 10000 N | 24 mm/s | 600 mm | | 1,1 kW / 400V | KGT |
| | | 20 mm/s | 800 mm | | 1,1 kW / 400V (with brake) | |
| PH45 | 5000 N | 37,5 mm/s | 1000 mm | Lift+300 mm | 0,55 kW / 400V | TGT |
| | 10000 N | 9 mm/s | | | 0,75 kW / 400V | |
| PH34 | 5000 N | 7,5 mm/s | 200 mm | Lift+260 mm | 0,25 kW / 400V | TGT |
| | | 15 mm/s | 400 mm | | 0,37 kW / 400V (with brake) | |
| | | 5 mm/s | 600 mm | | 0,20 kW / 24V (with brake) | |

Basic features

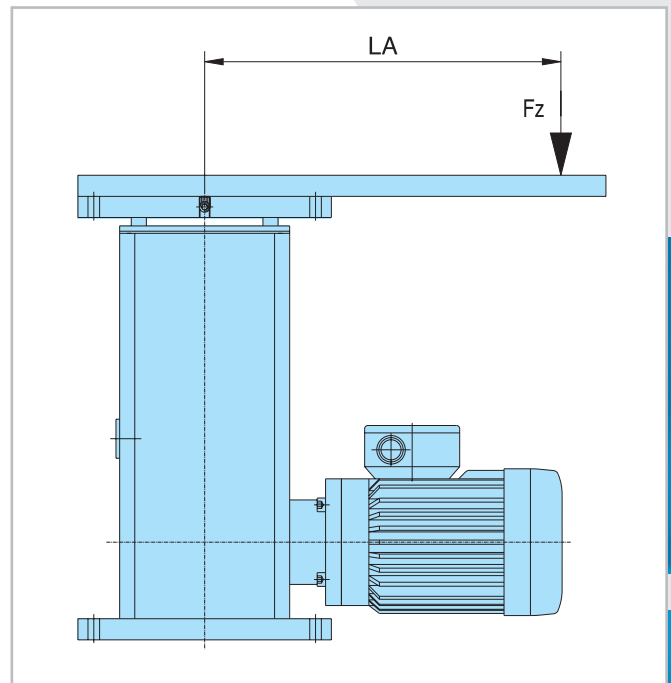
- Short safety nut for trapezoid screw (TGT)
- Conformity with German VBG 8 regulations
- IP 55 type of protection
- Inductive limit switch for setting the upper and lower end positions

Available as options on request

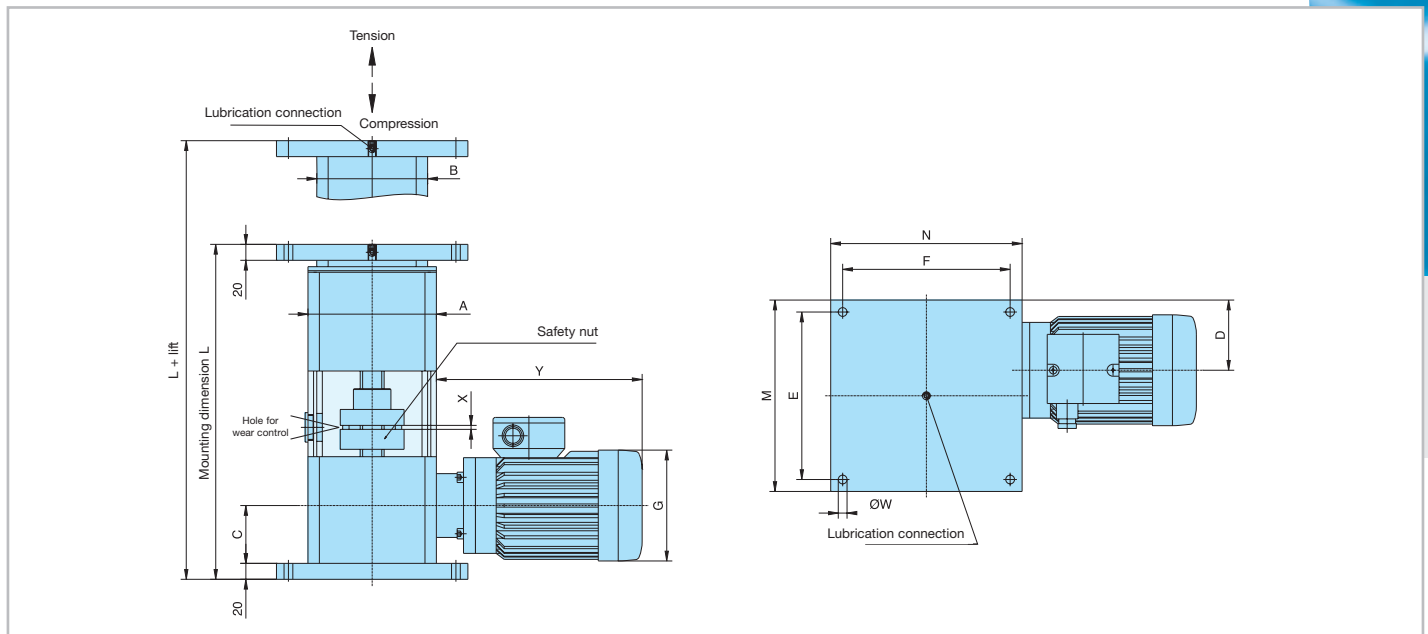
- Version with safety nut for ball screw (KGT)
- Controll system (see our catalog „Actuator Technics“, chapter „Accessories“)
- Version with encoder
- Servomotor with programmable control system

Permissible off-center load

| Type | Max. permissible load (Fz) for distance LA (mm) | | | | | |
|------|---|-------|---------|--------|---------|--------|
| | 50 | 100 | 200 | 300 | 400 | 500 |
| PH56 | 25 kN | 21 kN | 10,5 kN | 7 kN | 5,25 kN | 4,2 kN |
| PH45 | 10 kN | 10 kN | 8,4 kN | 5,6 kN | 4,2 kN | - |
| PH34 | 5 kN | 5 kN | 5 kN | 4,2 kN | - | - |



Dimensions



| Type | A | B | D | N | M | F | E | W | Y | G | C | X | Lubrication connection 2x | Y-brake |
|-------|---------|---------|----|-----|-----|-----|-----|----|-----|-----|------|---|------------------------------|---------|
| PH56 | 183x183 | 161x161 | 75 | 240 | 240 | 210 | 210 | 11 | 300 | 160 | 90 | 5 | M10x1 | 362 |
| PH45 | 161x161 | 139x139 | 88 | 240 | 240 | 210 | 210 | 11 | 260 | 140 | 72,5 | 5 | M10x1 | 317 |
| PH34 | 139x139 | 117x117 | 75 | 200 | 200 | 170 | 170 | 11 | 220 | 125 | 56 | 5 | M10x1 | 269 |
| PH34* | 139x139 | 117x117 | 75 | 200 | 200 | 170 | 170 | 11 | - | 80 | 56 | 5 | M10x1 | 405 |

* with 24 V motor



**Lifting & Material
Handling Equipment**



Actuator Technics



Stage Technology



PFAFF
silberblau
verkehrstechnik



PFAFF
silberblau
fördertechnik
www.pfaff-foerdertechnik.de



ALLTEC
antriebstechnik
www.alltec.de

ALLTEC
Antriebstechnik GmbH
Ochsenbrunnenstraße 10
D-74078 Heilbronn
GERMANY
Phone +49 (71 31) 28 71-0
Fax +49 (71 31) 28 71-11



Reg. No. 062 007-01

Pfaff-silberblau
Hebezeugfabrik GmbH & Co.
Äußere Industriestraße 18
D-86316 Friedberg/Derching
GERMANY
Phone +49 (8 21) 78 01-0
Fax +49 (8 21) 78 01-299



Reg. No. 054 006 01